

Cover Screw



Fixture Size	Ø 4.0	Ø 4.5 / Ø 5.5
	MCS14(A)	MCS16

- How to use: Use 1.2 Hex Driver
- Purpose of use: Protect implant connection after implant placement

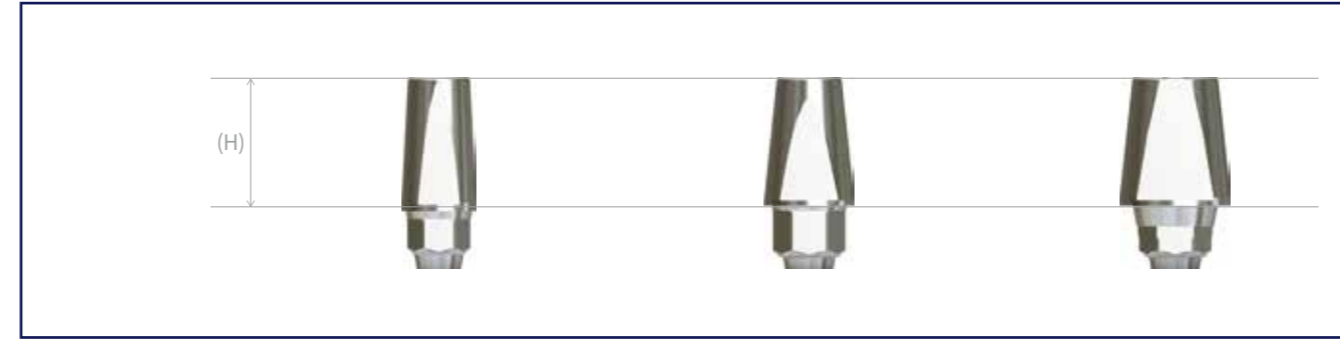
Multi Cemented Abutment



Fixture Size	Ø 4.0	Ø 4.5	Ø 5.5
2.0(L)	MMCH4020M	MMCH4620	MMCH5620
4.0(L)	MMCH4040M	MMCH4640	MMCH5640
6.0(L)	MMCH4060M	MMCH4660	MMCH5660

- How to use: Use 1.2 Hex Driver / Tightening Torque Ø 4.0 - 15Ncm / Ø 4.5, Ø 5.5 - 20Ncm
- Components: Multi Cemented Abutment + Abutment Screw / Various sizes can be selected according to the thickness of the gum
- Purpose of use: Used for prosthetic manufacturing general cemented type

SynHex Cemented Abutment



Fixture Size	Ø 4.0	Ø 4.5	Ø 5.5
3.0(H)	MSCH2830M	MSCH3530	MSCH4330
5.0(H)	MSCH2850M	MSCH3550	MSCH4350

- How to use: Use 1.2 Hex Driver / Tightening Torque Ø 4.0 - 15Ncm / Ø 4.5, Ø 5.5 - 20Ncm
- Components: SynHex Plus Abutment + Abutment Screw / Various sizes can be selected according to the thickness of the gum
- Purpose of use: Used for prosthetic manufacturing general cemented type

Abutment Screw



Fixture Size	Ø 4.0	Ø 4.5 / Ø 5.5
	MMSM14	MMSR16

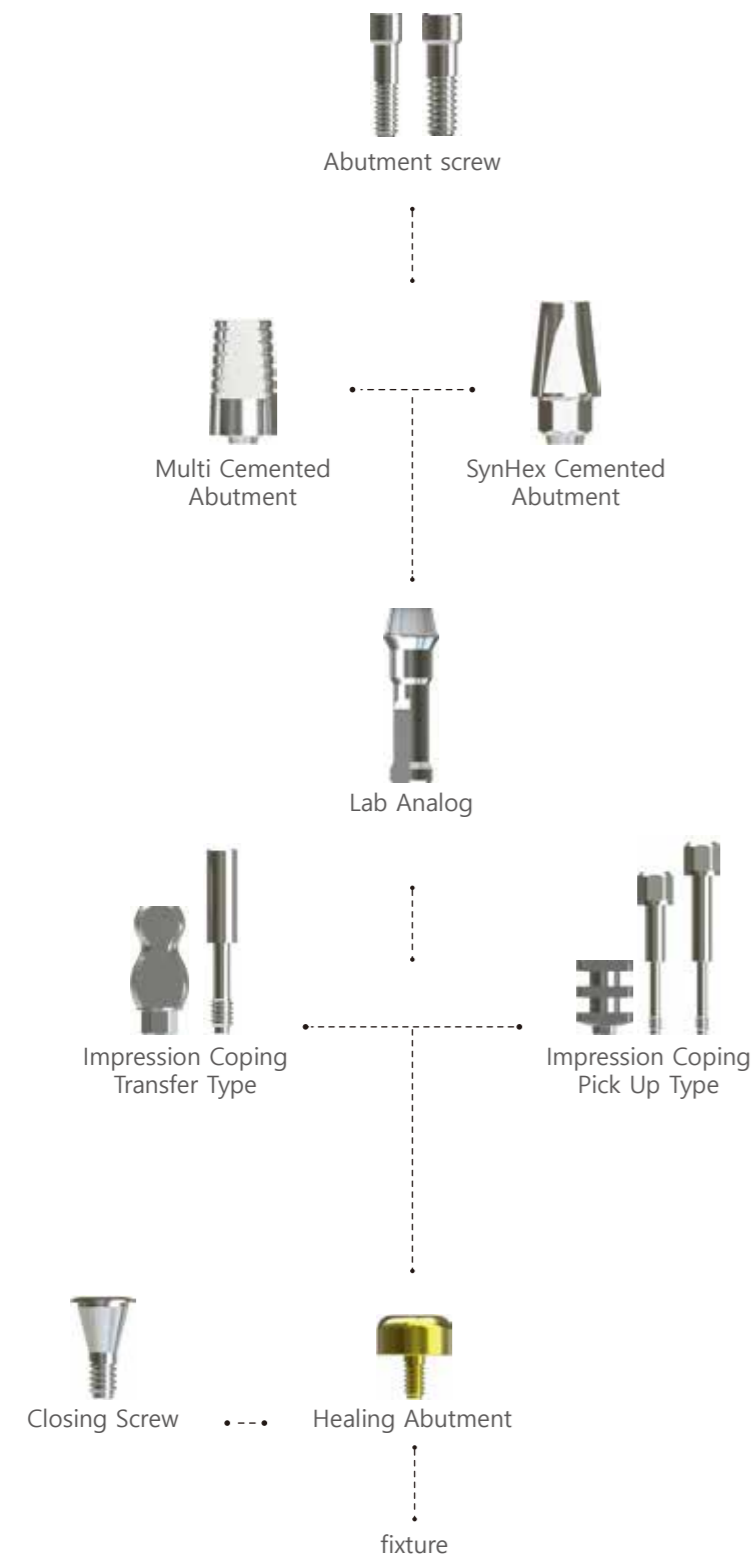
- How to use: Use 1.2 Hex Driver / Tightening Torque Ø 4.0 - 15Ncm / Ø 4.5, Ø 5.5 - 20Ncm

ZIONICS IBS TYPE



2023.03.09

ZIONICS ABUTMENT SYSTEM



Healing Abutment



Fixture Size	Ø 4.0	Ø 4.5	Ø 5.5
Short / 2.8(H)	MHN4628	MHN5328(A)	MHN6328
Long / 5.3(H)	MHN4653	MHN5353(A)	MHN6353

- How to use: Use 1.2 Hex Driver / Tightening torque 5 ~ 8Ncm
- purpose of use: Formation of gingiva by fastening to fixture during healing. Abutment can be selected according to the patient's gums height.

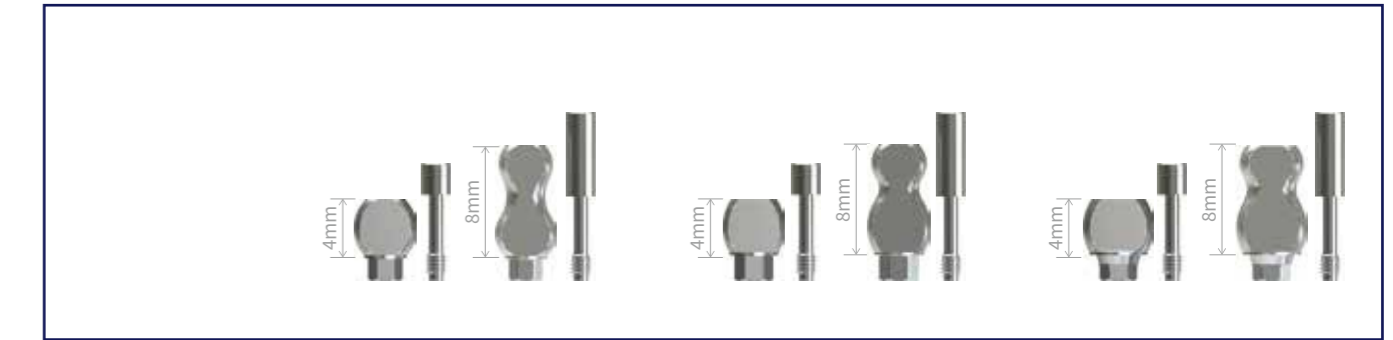
Pick up Impression Coping (Hex)



Fixture Size	Ø 4.0	Ø 4.5	Ø 5.5
Short	MIH40S	MIH45S	MIH55S
Long	MIH40L	MIH45L	MIH55L

- How to use: Use 1.2 Hex Driver
- Components: Impression Coping + Guide pin / Connection Hex
- Purpose of use: Used for impression acquisition using custom tray
- Guide Pin: Ø 4.0 - MIGS14S, MIGS14L / Ø 4.5, Ø 5.5 - MIGS16S, MIGS16L

Transfer Impression Coping (Hex)



Fixture Size	Ø 4.0	Ø 4.5	Ø 5.5
Short	MTH40S	MTH45S	MTH55S
Long	MTH40L	MTH45L	MTH55L

- How to use: Use 1.2 Hex Driver
- Components: Transfer Coping + Guide pin / Connection Hex
- Purpose of use: Used for impression acquisition using Close tray
- Guide Pin: Ø 4.0 - MTGS14S, MTGS14L / Ø 4.5, Ø 5.5 - MTGS16S, MTGS16L

Lab Analog



Fixture Size	Ø 4.0	Ø 4.5	Ø 5.5
Hex	MLH40	MLH45	MLH55

- Purpose of use: Implement intraoral fixture in working model.