



# 주식회사 지온

About Zion

## Quality

Since 2012, 11년간 전국 1,200여 치과 사용. 200만개 판매. 식약처 GMP 인증, 벤처인증기업. 최고급의 미국 포트윈 Grade 5 티타늄 사용



## Digital Precision Machining

최고급 일본사 Star CNC+CAM 장비로 5마이크론 디지털 초정밀 가공



## Thorough Quality Control

ZION은 ITALY VICIVISION사의 디지털 검사 장비를 도입하여 보다 정밀한 치수검사를 시행. 모든 제품은 철저한 안정성 검사를 통한 제품만을 출하. 30만개 이상의 완제품을 보유하고 있어 언제나 원활한 제품 공급을 받을 수 있음



## GMP

식약처 의료기기 제조 품질관리 인증 획득

## Certified Company

특허청, 벤처기업인증, 국제인증포럼(IAF), 다자간 인식 협정 (MLA) 등 공인 인증 취득

## Insurance Coverage

전품목 건강보험심사평가원 보험코드 등재

# ZIONICS SS TYPE



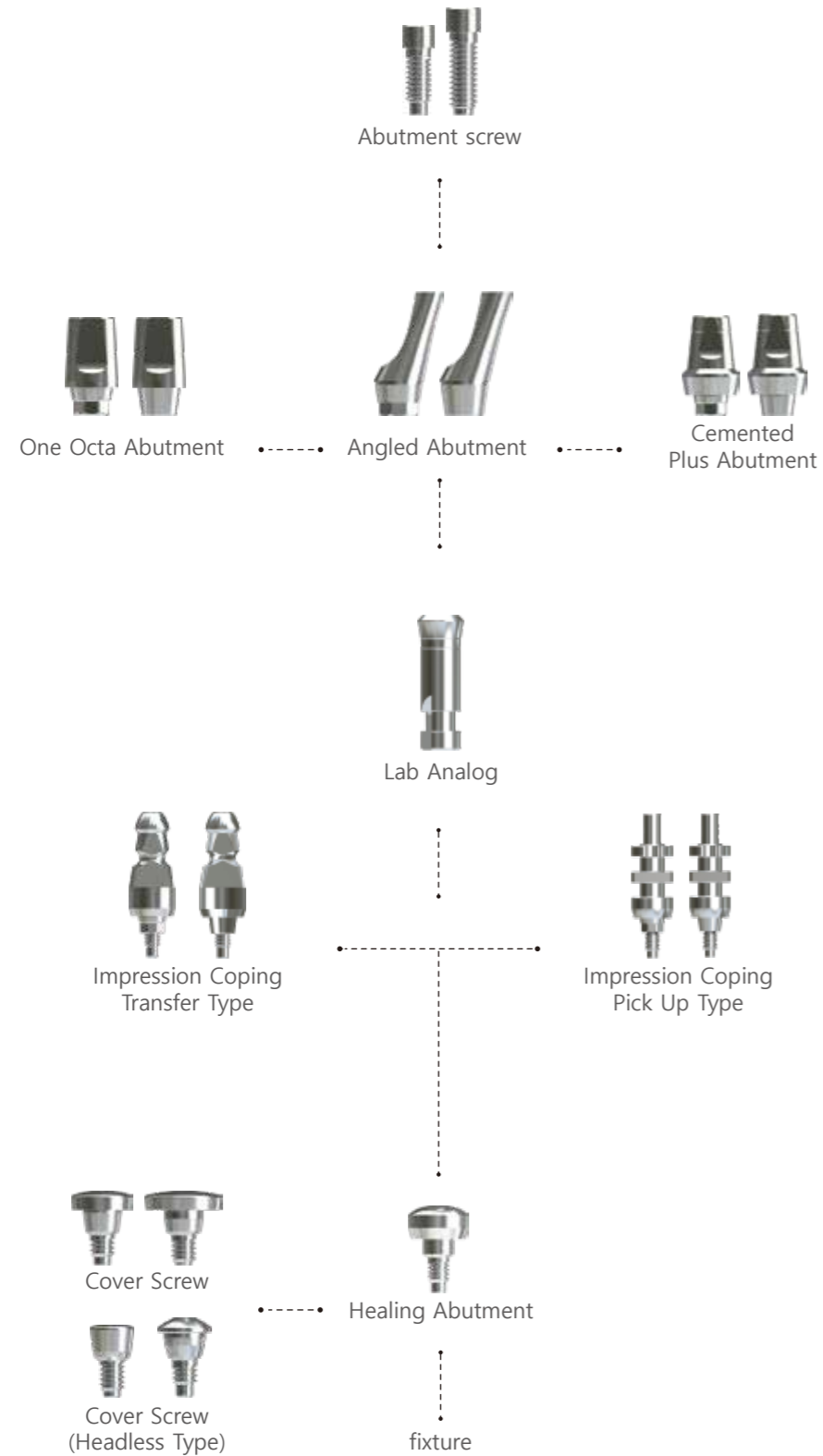
2023.03.20

# ZIONICS ABUTMENT SYSTEM



T. 050.2007.2875 F. 050.2008.2875  
E-Mail. zionmedi@daum.net  
Homepage. www.zionhome.co.kr  
BLog. blog.naver.com/zionics\_official

부산본사 : 부산시 강서구 낙동북로 126번길 16-32  
서울지사 : 서울시 강서구 강서로 415, 203  
E-Catalog. zionec4.ccleman.com  
Kakao Plus. "(주)지온" 검색 후 친구 추가 하기!



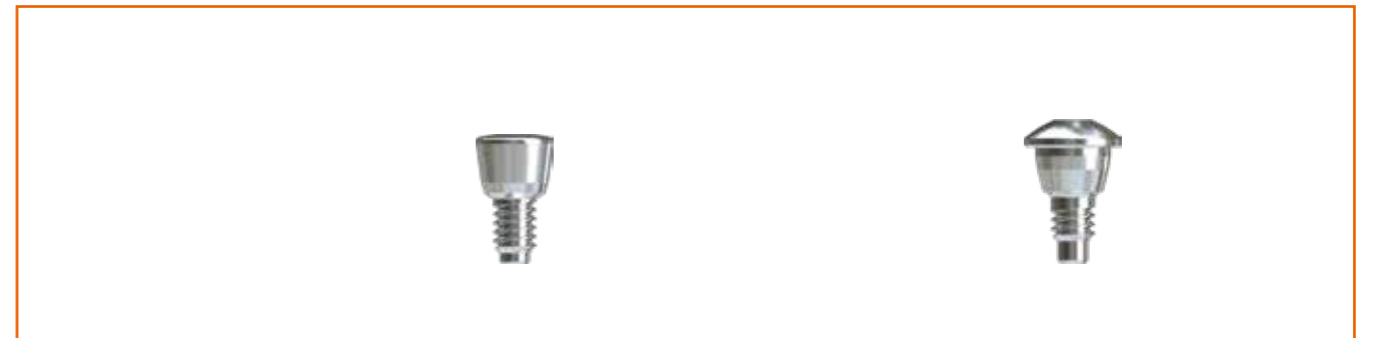
Cover Screw



Platform	4.8 (P)	6.0 (P)
Type	SSCS48	SSCS60

- How to use: Use 1.2 Hex Driver
- Purpose of use: Protect implant connection after implant placement

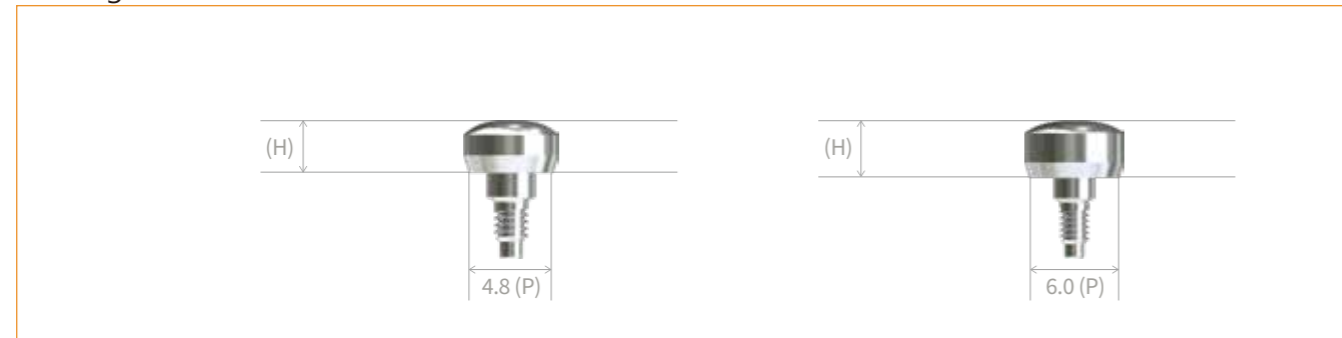
Cover Screw ( Headless Type )



Platform	4.8 (P)	6.0 (P)
Type	ICSH4805	SSCSH6006

- How to use: Use 1.2 Hex Driver
- Purpose of use: Protect implant connection after implant placement

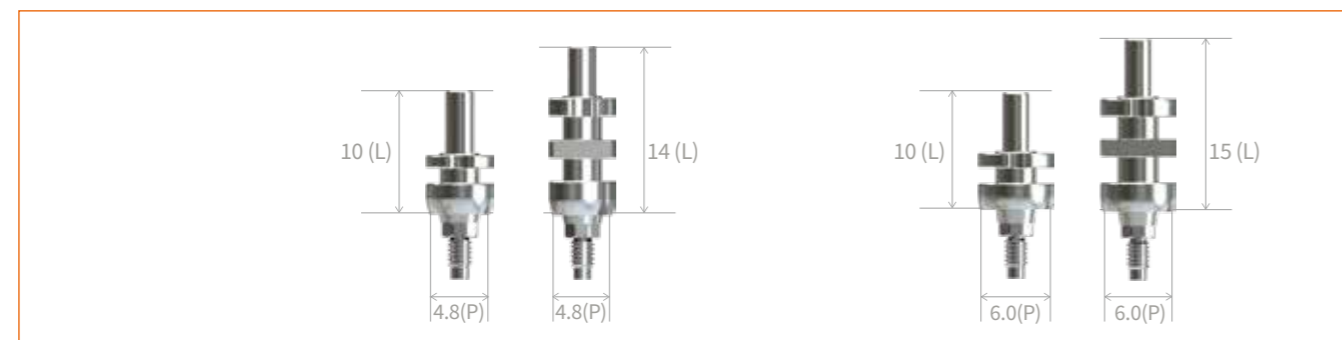
Healing Abutment



Height/ Platform	4.8 (P)	6.0 (P)
2.0(H)	SSHN4820	
3.0(H)	SSHN4830	SSHN6030
4.0(H)	SSHN4840	SSHN6040
5.0(H)	SSHN4850	SSHN6050

- How to use: Use 1.2 Hex Driver / Tightening torque 5 ~ 8Ncm
- purpose of use: Formation of gingiva by fastening to fixture during healing.  
Abutment can be selected according to the patient's gums height.

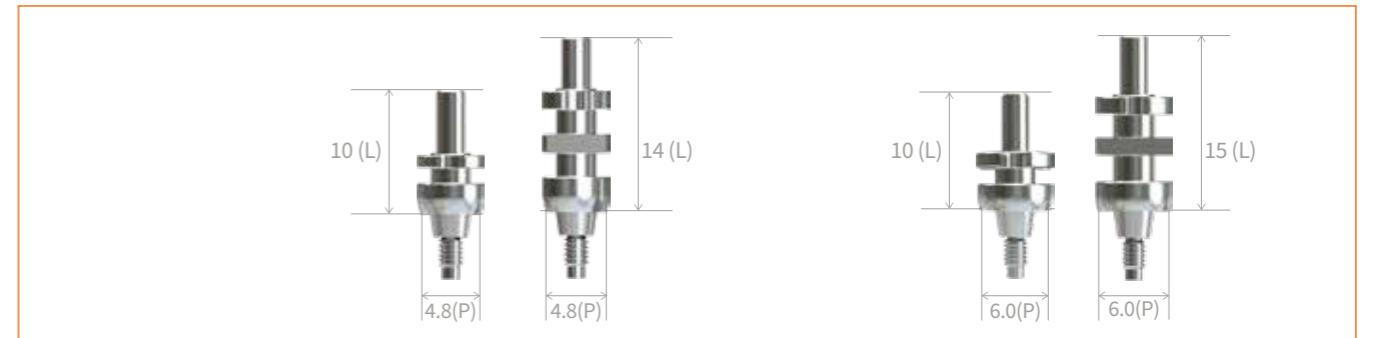
Pick up Impression Coping ( Octa )



Length / Platform	4.8 (P)	6.0 (P)
Short	SSIH48S	SSIH60S
Long	SSIH48L	SSIH60L

- How to use: Use 1.2 Hex Driver / Tightening Torque 30Ncm
- Components: Cemented Abutment + Abutment Screw / Various sizes can be selected according to the thickness of the gum/ Octa or N-Octa of Implant Connection According to Surgical Methods and Prosthetics.
- Purpose of use: Used for prosthetic manufacturing general cemented type
- Guide Pin : SSIR20S (SSIH48S), SSIR20L (SSIH48L), SSIW20S (SSIH60S), SSIW20L (SSIH60L)

Pick up Impression Coping ( N-Octa )



Length / Platform	4.8 (P)	6.0 (P)
Short	SSIN48S	SSIN60S
Long	SSIN48L	SSIN60L

- How to use: Use 1.2 Hex Driver / Tightening Torque 30Ncm
- Components: Cemented Abutment + Abutment Screw / Various sizes can be selected according to the thickness of the gum/ Octa or N-Octa of Implant Connection According to Surgical Methods and Prosthetics.
- Purpose of use: Used for prosthetic manufacturing general cemented type
- Guide Pin : SSIR20S (SSIN48S), SSIR20L (SSIN48L), SSIW20S (SSIN60S), SSIW20L (SSIN60L)

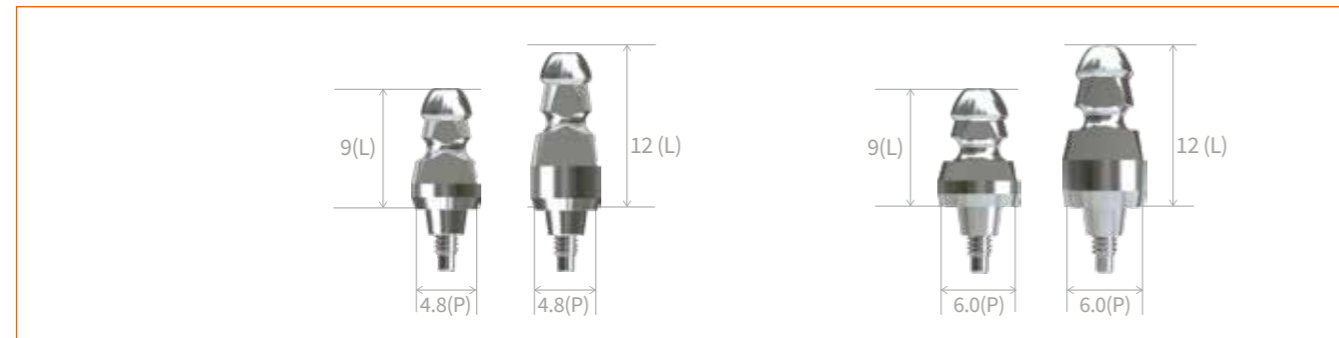
Transfer Impression Coping ( Octa )



Length / Platform	4.8 (P)	6.0 (P)
Short	SSTH48S	SSTH60S
Long	SSTH48L	SSTH60L

- How to use: Use 1.2 Hex Driver / Tightening Torque 30Ncm
- Components: Cemented Abutment + Abutment Screw / Various sizes can be selected according to the thickness of the gum/ Octa or N-Octa of Implant Connection According to Surgical Methods and Prosthetics.
- Purpose of use: Used for prosthetic manufacturing general cemented type
- Guide Pin : SSTR20S (SSTH48S), SSTR20L (SSTH48L), SSTW20S (SSTH60S), SSTW20L (SSTH60L)

Transfer Impression Coping  
( N-Octa )



Length / Platform	4.8 (P)	6.0 (P)
Short	SSTN48S	SSTN60S
Long	SSTN48L	SSTN60L

- How to use: Use 1.2 Hex Driver / Tightening Torque 30Ncm
- Components: Cemented Abutment + Abutment Screw / Various sizes can be selected according to the thickness of the gum/ Octa or N-Octa of Implant Connection According to Surgical Methods and Prosthetics.
- Purpose of use: Used for prosthetic manufacturing general cemented type
- Guide Pin : SSTR20S (SSTN48S), SSTR20L (SSTN48L), SSTW20S (SSTN60S), SSTW20L (SSTN60L)

Lab Analog



Length / Platform	4.8 (P)	6.0 (P)
14 (L)	SSLH48	SSLH60

- Purpose of use: Implement intraoral fixture in working model.

One Octa Abutment  
( Octa )



Length / Platform	4.8 (P)	6.0 (P)
4.0(L)	SSOH4340	SSOH5340
5.5(L)	SSOH4355	SSOH5355
7.0(L)	SSOH4370	SSOH5370

- How to use: Use 1.2 Hex Driver / Tightening Torque 30Ncm
- Components: Cemented Abutment + Abutment Screw / Various sizes can be selected according to the thickness of the gum/ Octa or N-Octa of Implant Connection According to Surgical Methods and Prosthetics.
- Purpose of use: Used for prosthetic manufacturing general cemented type
- Set Screw : SSSR2080

One Octa Abutment  
( N-Octa )



Length / Platform	4.8 (P)	6.0 (P)
4.0(L)	SSON4340	SSON5340
5.5(L)	SSON4355	SSON5355
7.0(L)	SSON4370	SSON5370

- How to use: Use 1.2 Hex Driver / Tightening Torque 30Ncm
- Components: Cemented Abutment + Abutment Screw / Various sizes can be selected according to the thickness of the gum/ Octa or N-Octa of Implant Connection According to Surgical Methods and Prosthetics.
- Purpose of use: Used for prosthetic manufacturing general cemented type
- Set Screw : SSSR2080

Cemented Plus Abutment  
( Octa )



Platform	4.8 (P)		6.0 (P)	
Height/ Length	4.0(L)	5.5(L)	4.0(L)	5.5(L)
1.0(H)	SSCPH551040	SSCPH551055	SSCPH651040	SSCPH651055
2.0(H)	SSCPH552040	SSCPH552055	SSCPH652040	SSCPH652055
3.0(H)	SSCPH553040	SSCPH553055	SSCPH653040	SSCPH653055
4.0(H)	SSCPH554040	SSCPH554055	SSCPH654040	SSCPH654055

- How to use: Use 1.2 Hex Driver / Tightening Torque 30Ncm
- Components: Cemented Abutment + Abutment Screw / Various sizes can be selected according to the thickness of the gum/ Octa or N-Octa of Implant Connection According to Surgical Methods and Prosthetics.
- Purpose of use: Used for prosthetic manufacturing general cemented type
- Set Screw : SSSR2080

Cemented Plus Abutment  
( N-Octa )



Platform	4.8 (P)	6.0 (P)
Height/ Length	5.5(L)	5.5(L)
1.0(H)	SSCPN551055	SSCPN651055
2.0(H)	SSCPN552055	SSCPN652055
3.0(H)	SSCPN553055	SSCPN653055
4.0(H)	SSCPN554055	SSCPN654055

- How to use: Use 1.2 Hex Driver / Tightening Torque 30Ncm
- Components: Cemented Abutment + Abutment Screw / Various sizes can be selected according to the thickness of the gum/ Octa or N-Octa of Implant Connection According to Surgical Methods and Prosthetics.
- Purpose of use: Used for prosthetic manufacturing general cemented type
- Set Screw : SSSR2080

Angled Abutment  
( Octa )



Angle / Platform	4.8 (P)	6.0 (P)
15 (A)	SSAH3515	SSAH4315
20 (A)	SSAH3520	SSAH4320

- How to use: Use 1.2 Hex Driver / Tightening Torque 30Ncm
- Components: Angled Abutment + Abutment Screw / 15 ° or 20 °configuration/ Various sizes can be selected according to the thickness of the gums/ Octa or N-Octa of Implant Connection According to Surgical Methods and Prosthetics
- Purpose of use: Used when path control of abutment prosthesis, general Cement retained type, is required
- Set Screw : SSSR2070

Angled Abutment  
( N-Octa )



Angle / Platform	4.8 (P)	6.0 (P)
15 (A)	SSAN3515	SSAN4315
20 (A)	SSAN3520	SSAN4320

- How to use: Use 1.2 Hex Driver / Tightening Torque 30Ncm
- Components: Angled Abutment + Abutment Screw / 15 ° or 20 °configuration/ Various sizes can be selected according to the thickness of the gums/ Octa or N-Octa of Implant Connection According to Surgical Methods and Prosthetics
- Purpose of use: Used when path control of abutment prosthesis, general Cement retained type, is required
- Set Screw : SSSR2070



Abutment Screw



Type	Angled Type	Cemented Type
	SSSR2070	SSSR2080

- How to use: Use 1.2 Hex Driver / Tightening Torque 30Ncm

1.2 Hex Driver



Length	14.0(L)	18.0(L)	22.0(L)	28.0(L)
	THD12SS	THD12S	THD12L	THD12XL

- How to use: Used for various purposes such as tightening and removing cover screw or screw

<p><b>Abutment</b></p> <p>Zionics TS Type</p>	<p>Zionics SuperLine Type</p>	<p>Zionics IS Type</p>	<p>Zionics UF Type</p>
<p>Zionics ITI Type</p>	<p>Zionics BoneLevel Type</p>	<p>Zionics Branemark Type</p>	<p>Zionics IBS Type</p>
<p><b>NEW</b></p> <p>Zionics SS Type</p>	<p><b>KIT</b></p> <p>Haenaem Bur KIT</p>	<p><b>OverDenture</b></p> <p>세계에서 가장 낮은 2.5 높이</p> <p><b>ZM LOCK</b></p>	<p>오버덴처 세계 1위 / 국내 최저 가격</p> <p><b>LOCATOR</b></p>
<p><b>G.B.R</b></p> <p>Multi Cover Screw</p>	<p>Bone Tenting Screw</p>		
<p><b>Others</b></p> <p>Short Implant</p>	<p>Multi Cover Screw</p>	<p><b>HOT</b></p> <p>디지털 치과의 시작... Healing ScanBody</p>	